

MAIN MODULE Q42531-6 (Serial #59665 and above) (cont'd)

<u>LOCATION #</u>	<u>DESCRIPTION</u>	<u>PART #</u>
<i>RESISTORS (cont'd)</i>		
R100	100K ohm Trim Pot	C 5062-2
R101	2M ohm .25W 5%	C 3199-4
R103	1K ohm .25W 5%	C 2627-5
R104	240K ohm .25W 5%	C 4220-7
R109	510 ohm .5W 1%	C 3304-0
R110	2.4K ohm .25W 5%	C 3616-7
R111	56K ohm .25W 5%	C 2882-6
R112	8.2K ohm .25W 5%	C 2877-6
R113	5.6K ohm .25W 5%	C 3220-8
R115	10K ohm .5W 1%	C 2343-9
R116	820 ohm .25W 5%	C 3301-6
R117	33K ohm .5W 5%	C 3137-4
R118	120 ohm .5W 5%	C 3837-9
R119	82 ohm .25W 5%	C 3960-9
R120	5.1K ohm 1W 5%	C 2808-1
R121	22.1K ohm .5W 1%	C 3855-1
R122	82 ohm .25W 5%	C 3960-9
R123	120 ohm .5W 5%	C 3837-9
R124	82 ohm .25W 5%	C 3960-9
R125	2.2K ohm .5W 5%	C 1036-0
R126	750 ohm .25W 5%	C 3803-1
R127	15 ohm .25W 5%	C 3614-2
R128	500 ohm Trim Pot	C 6048-0
R129	100 ohm .25W 5%	C 2872-7
R130	180 ohm .25W 5%	C 2873-5
R131	5.6 ohm .5W 5%	C 3299-2
R135	180 ohm .25W 5%	C 2873-5
R136	5.6 ohm .5W 5%	C 3299-2
R138	150K ohm .25W 5%	C 4216-5
R139	2.7K ohm 1W 10%	C 1079-0
R140	56K ohm .25W 5%	C 2882-6
R142	13K ohm .25W 5%	C 4300-7
R143	13K ohm .25W 5%	C 4300-7
R144	4.7K ohm .25W 5%	C 3939-3
R145	825 ohm .25W 1%	C 6556-2

MAIN MODULE Q42531-6 (Serial #59665 and above) (cont'd)

<u>LOCATION #</u>	<u>DESCRIPTION</u>	<u>PART #</u>
<i>RESISTORS (cont'd)</i>		
R146	FOR .775VRMS SENSITIVITY JUMPER	
R200	100K ohm Trim Pot	C 5062-2
R201	2M ohm .25W 5%	C 3199-4
R203	1K ohm .25W 5%	C 2627-5
R204	240K ohm .25W 5%	C 4220-7
R209	510 ohm .5W 1%	C 3304-0
R210	2.4K ohm .25W 5%	C 3616-7
R211	56K ohm .25W 5%	C 2882-6
R212	8.2K ohm .25W 5%	C 2877-6
R213	5.6K ohm .25W 5%	C 3220-8
R215	10K ohm .5W 1%	C 2343-9
R216	820 ohm .25W 5%	C 3301-6
R217	33K ohm .5W 5%	C 3137-4
R218	120 ohm .5W 5%	C 3837-9
R219	82 ohm .25W 5%	C 3960-9
R220	5.1K ohm 1W 5%	C 2808-1
R221	22.1K ohm .5W 1%	C 3855-1
R222	82 ohm .25W 5%	C 3960-9
R223	120 ohm .5W 5%	C 3837-9
R224	82 ohm .25W 5%	C 3960-9
R225	2.2K ohm .5W 5%	C 1036-0
R226	750 ohm .25W 5%	C 3803-1
R227	15 ohm .25W 5%	C 3614-2
R228	500 ohm Trim Pot	C 6048-0
R229	100 ohm .25W 5%	C 2872-7
R230	180 ohm .25W 5%	C 2873-5
R231	5.6 ohm .5W 5%	C 3299-2
R235	180 ohm .25W 5%	C 2873-5
R236	5.6 ohm .5W 5%	C 3299-2
R238	150K ohm .25W 5%	C 4216-5
R239	2.7K ohm 1W 10%	C 1079-0
R240	56K ohm .25W 5%	C 2882-6
R242	13K ohm .25W 5%	C 4300-7
R243	13K ohm .25W 5%	C 4300-7
R244	4.7K ohm .25W 5%	C 3939-3
R245	825 ohm .25W 1%	C 6556-2
R246	FOR .775 V RMS SENSITIVITY JUMPER	

MAIN MODULE Q42531-6 (Serial #59665 and above) (cont'd)

<u>LOCATION #</u>	<u>DESCRIPTION</u>	<u>PART #</u>
<i>TRANSISTORS</i>		
Q101	PN4250A PNP	C 3786-8
Q102	MPS93 PNP	C 3578-9
Q103	SEL 2N3859 NPN	D 2961-7
Q104	2N4125 PNP	C 3625-8
Q105	MPSL01 NPN	C 3232-3
Q106	SEL 2N3859 NPN	D 2961-7
Q107	D40P3 NPN	C 5065-5
Q108	2N4125 PNP	C 3625-8
Q111	SEL 2N3859 NPN	D 2961-7
Q112	NDS206 PNP	C 4116-7
Q115	SEL 2N3859 NPN	D 2961-7
Q116	SEL 2N3859 NPN	D 2961-7
Q201	PN4250A PNP	C 3786-8
Q202	MPS93 PNP	C 3578-9
Q203	SEL 2N3859 NPN	D 2961-7
Q204	2N4125 PNP	C 3625-8
Q205	MPSL01 NPN	C 3232-3
Q206	SEL 2N3859 NPN	D 2961-7
Q207	D40P3 NPN	C 5065-5
Q208	2N4125 PNP	C 3625-8
Q211	SEL 2N3859 NPN	D 2961-7
Q212	NDS206 PNP	C 4116-7
Q215	SEL 2N3859 NPN	D 2961-7
Q216	SEL 2N3859 NPN	D 2961-7
<i>MISCELLANEOUS</i>		
	14 Pin IC Socket	C 3450-1
	8 Pin IC Socket	C 3451-9
	Heatsink T0-92	C 3493-1
	D-Clips T0-92	C 3953-4
	PC Board Mount	F 9562-4
	0 ohm Jumpers	C 5868-9

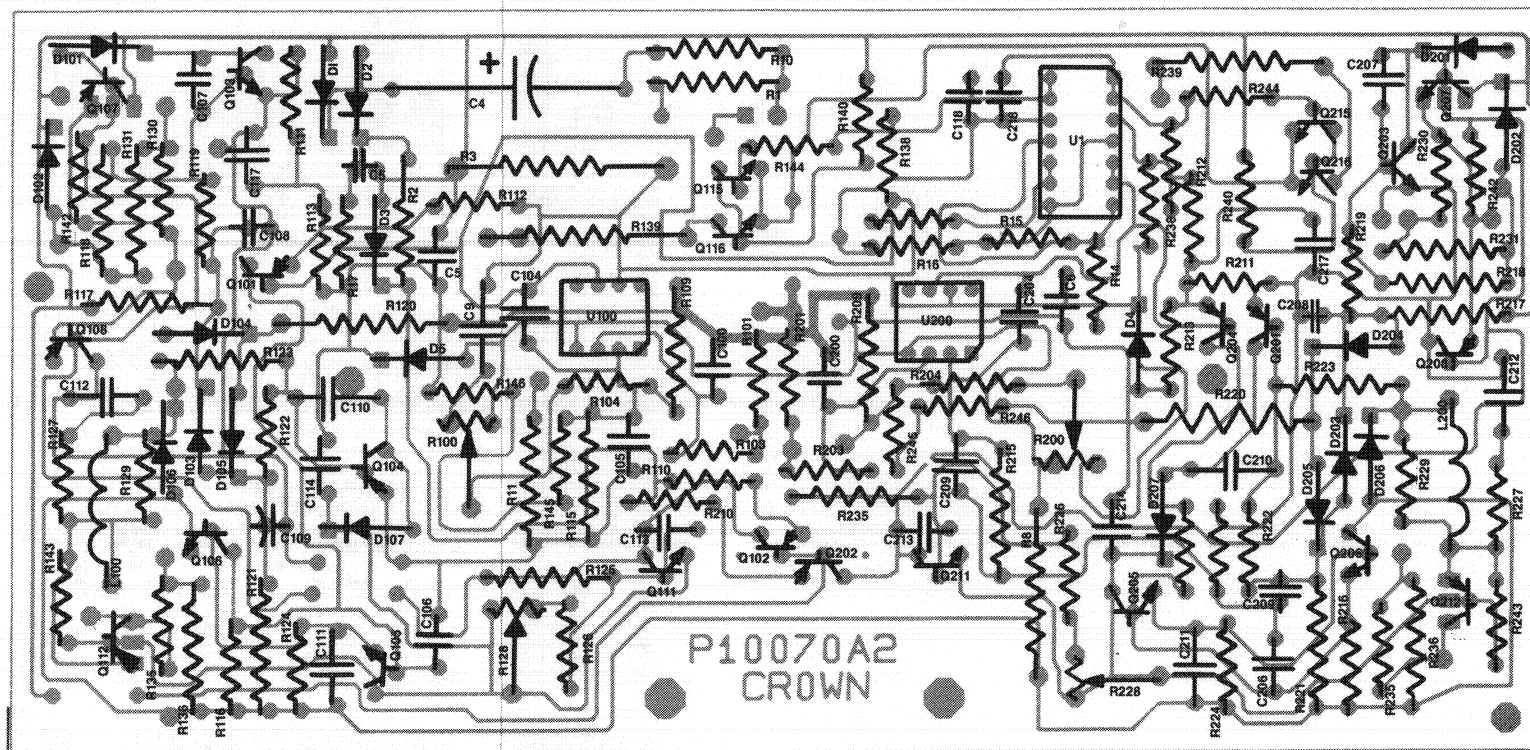
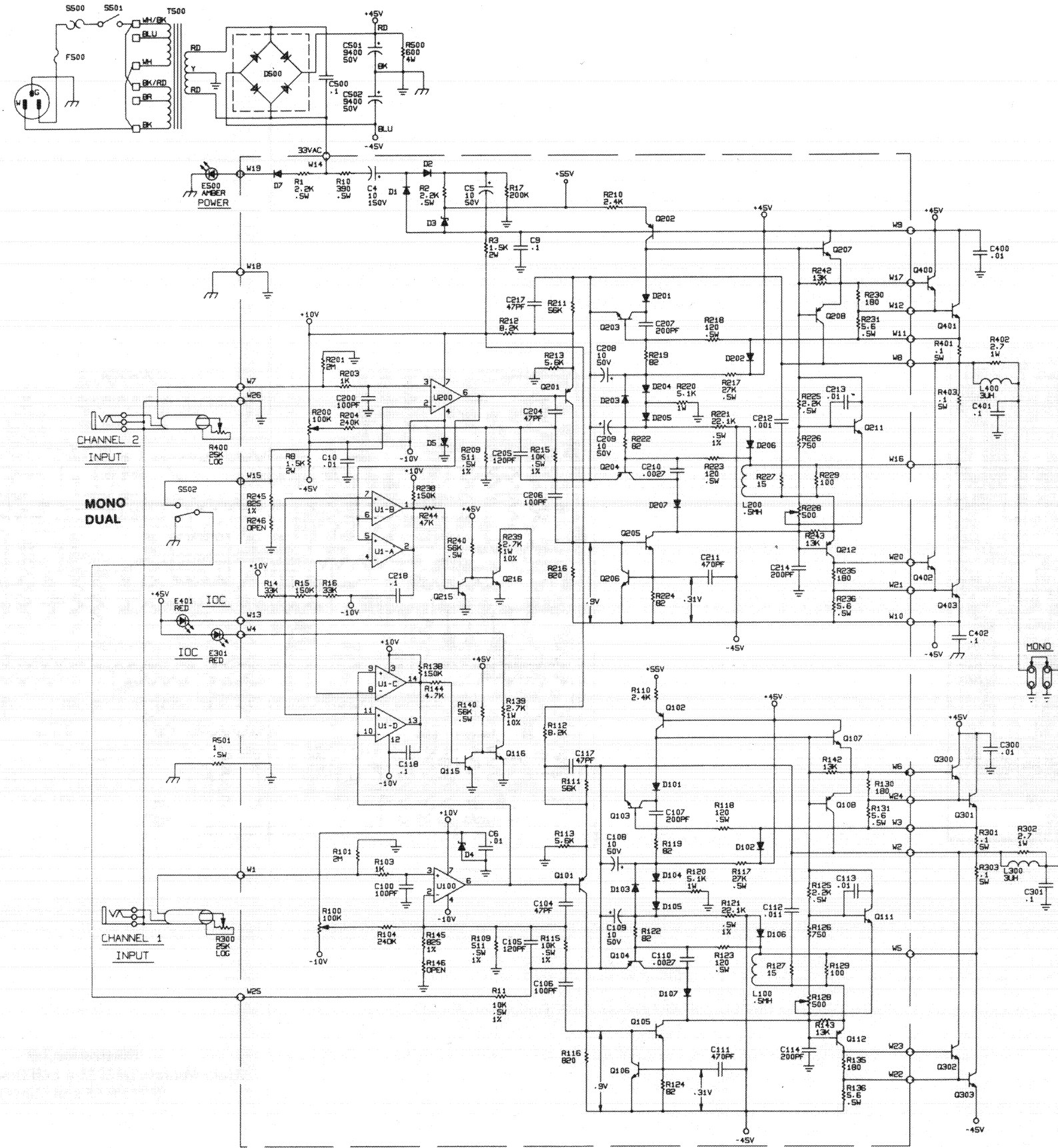


Illustration 7-9
Main Module Q42531-6 Foil Board Layout
(S/N 59665 and above)

D-150A SERIES II POWER AMPLIFIER



NOTE:

1. Q102 AND Q202 ARE HEATSUNK TOGETHER WITH A DUAL T092 COOLER.
2. Q111 AND Q211 ARE HEATSUNK TO THE BOARD MOUNTING BRACKET.
3. THIS SCHEMATIC APPLIES TO UNITS WITH SERIAL NUMBERS 59429 AND FOLLOWING.
4. ALL RESISTORS ARE .25W, 5% WITH VALUES IN OHMS UNLESS OTHERWISE SPECIFIED.
5. ALL CAPACITOR VALUES IN MICROFARADS UNLESS OTHERWISE SPECIFIED.
6. CHANNEL 1 MAIN BOARD COMPONENTS NUMBERED 100-199.
7. CHANNEL 2 MAIN BOARD COMPONENTS NUMBERED 200-299.
8. CHANNEL 1 OFF BOARD COMPONENTS NUMBERED 300-399.
9. CHANNEL 2 OFF BOARD COMPONENTS NUMBERED 400-499.
10. COMMON MAIN BOARD COMPONENTS NUMBERED 1-99.
11. COMMON OFF BOARD COMPONENTS NUMBERED 1-99.
12. DC VOLTAGES SHOWN APPLY TO NORMAL QUIESCENT OPERATING CONDITIONS.

Illustration 7-10
Main Module Q42531-6 Schematic
(S/N 59665 and above)

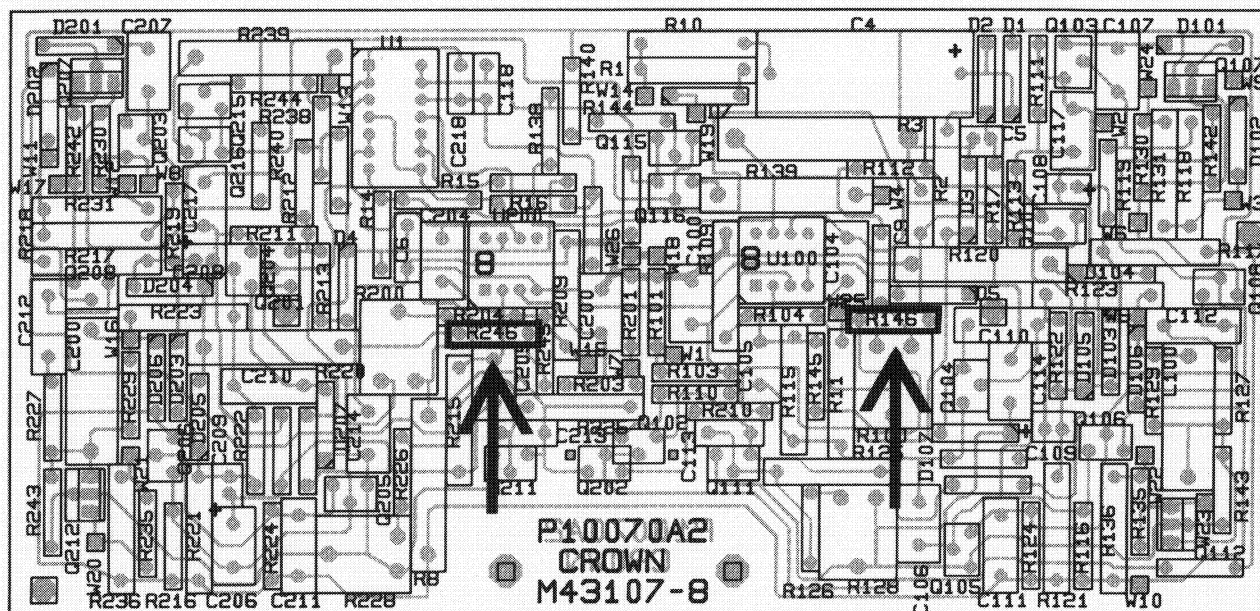


Illustration 7-11
Jumper Locations

The D-150A Series II amplifier comes with an optional feature that increases the input sensitivity of the amplifier to allow a 0dBm (.775Vrms) input signal to drive the amplifier to full rated power. The feature is set up to be easily field implemented by either a Crown Warranty Service Station or by the user without voiding the warranty.

Modification Instructions

1. Disconnect the amplifier from AC power.
2. Place the amplifier transformer end down on a flat surface. Remove the two black phillips head screws adjacent to the input jacks. The dress plate and perforated main board cover can now be easily removed. This will expose both sides of the main circuit board.
3. Solder #22 buss wire jumpers at the locations marked R146 and R246 on the main circuit board. A board layout with the jumpers locations indicated is provided for easy reference.
4. Reassemble the unit in reverse order of disassembly.

Specification Changes

Stereo Voltage Gain: 21.6 +/- 2% or 26.7dB +/- .02dB.

Monaural Voltage Gain: 43.2 +/- 2% or 32.7dB +/- .02dB.

Input Sensitivity: .775 volts +/- 2% for 80 watts into 8 ohms stereo or 160 watts into 16 ohms mono.